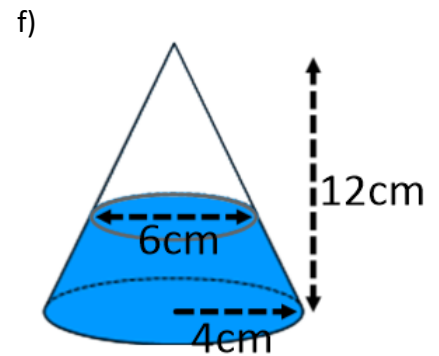
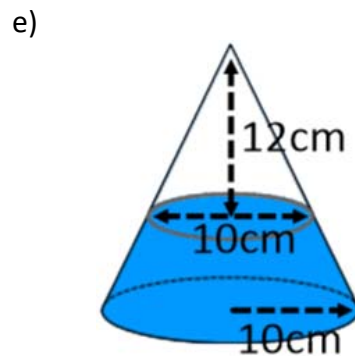
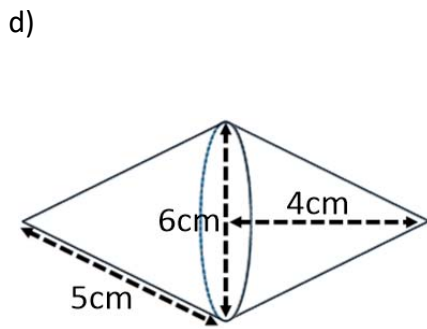
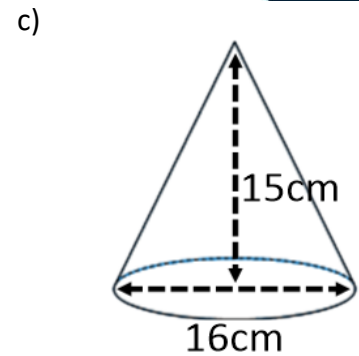
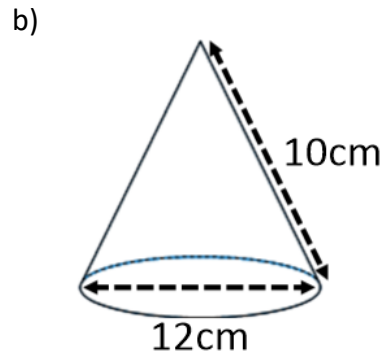
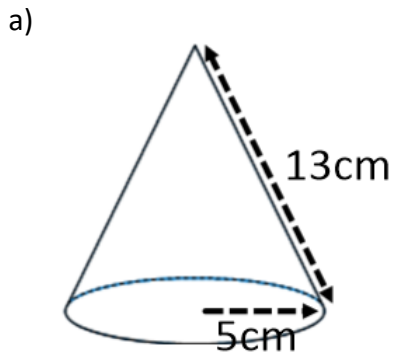


Surface Area of a Cone

Increasingly
Difficult
Exercises



Surface Area of a Cone

Increasingly
Difficult
Exercises

