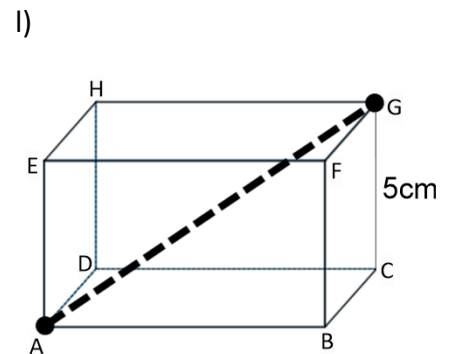
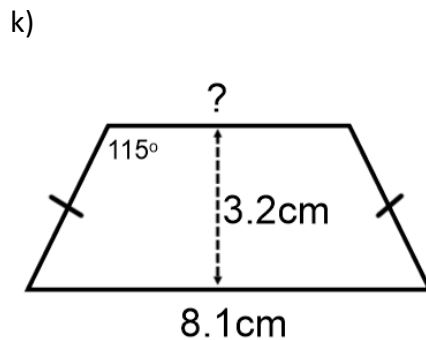
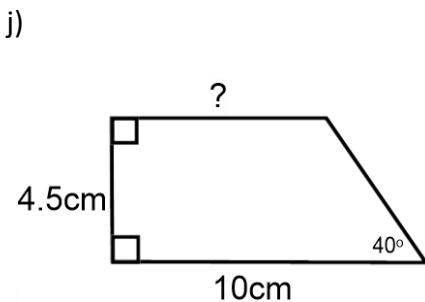
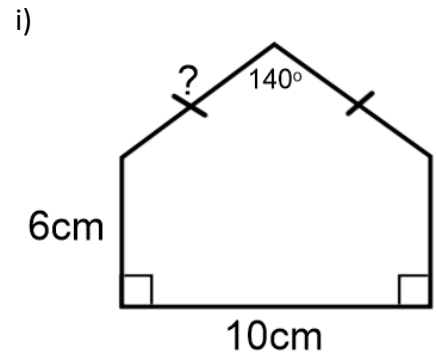
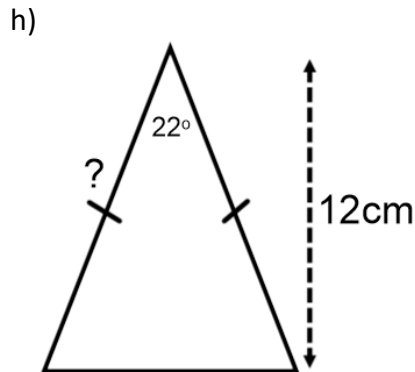
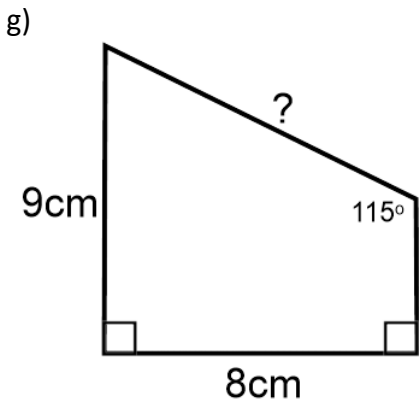
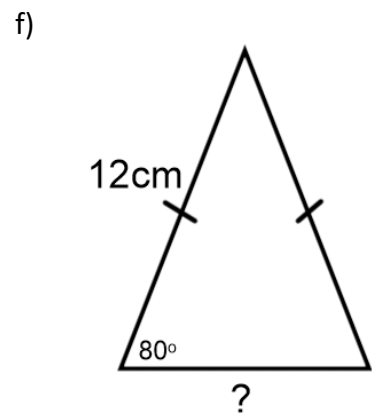
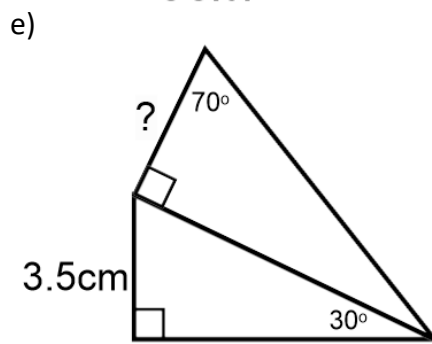
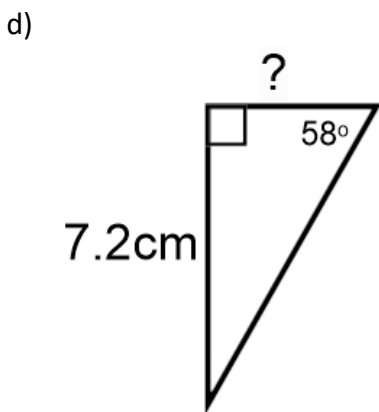
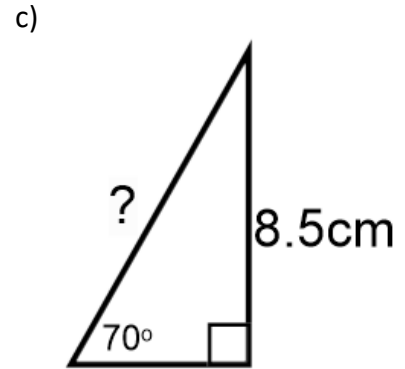
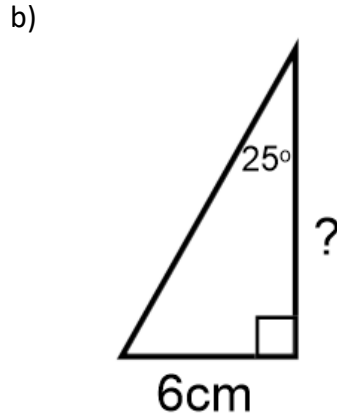
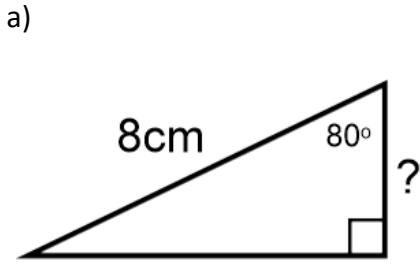


# Calculating Sides Using Trigonometric Ratios

Increasingly  
Difficult  
Exercises



The angle between the plane ABCD and the line AG is  $23^\circ$ .