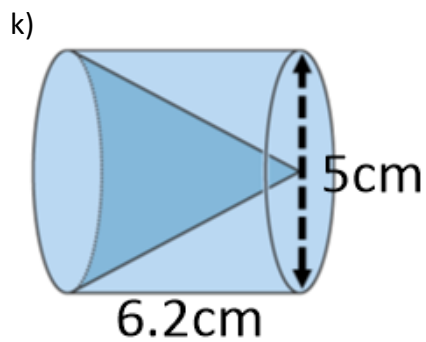
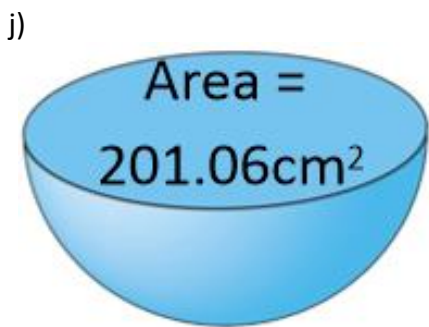
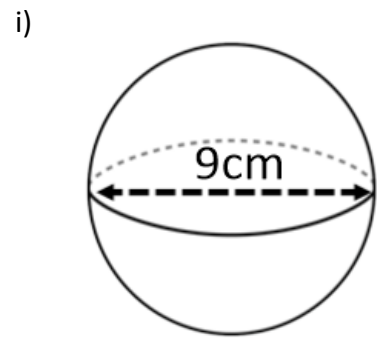
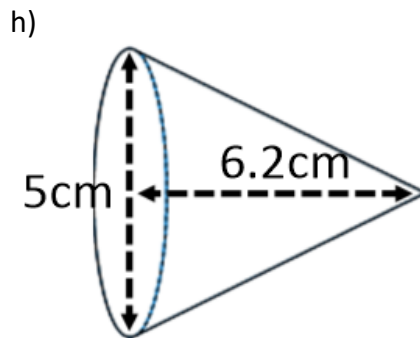
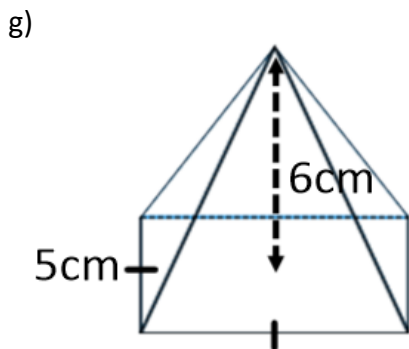
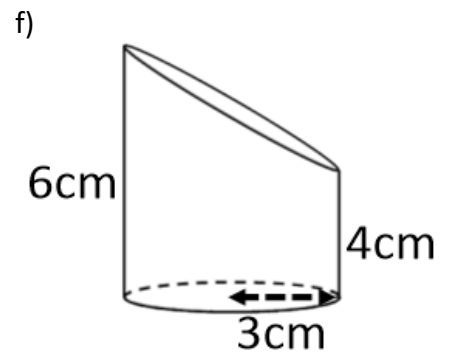
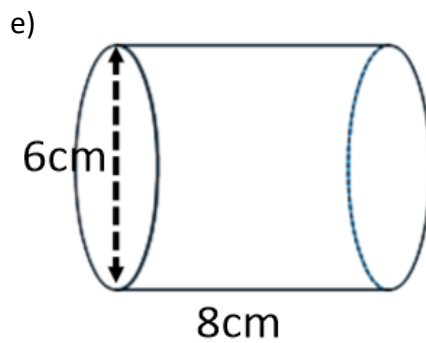
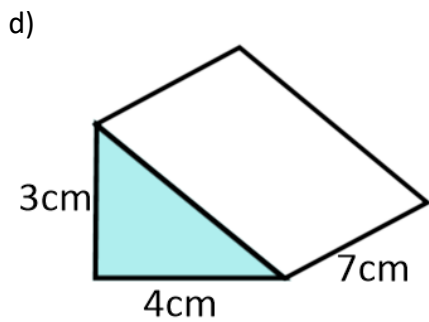
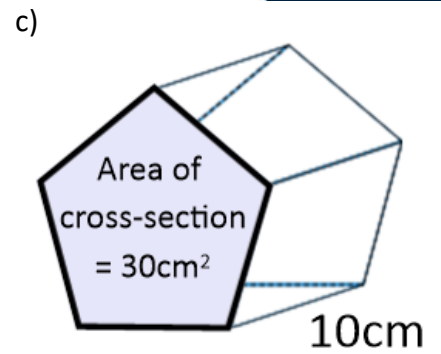
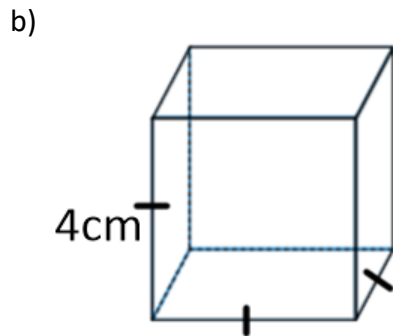
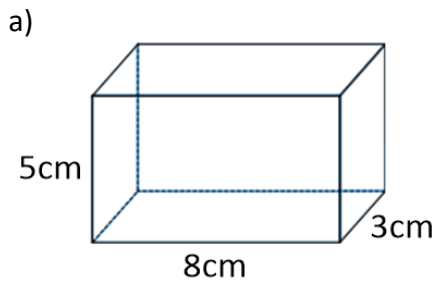


Volume of Solids

Increasingly
Difficult
Exercises



(Cone cut from a solid cylinder)

