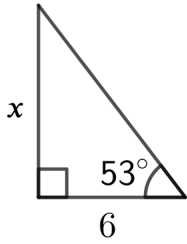
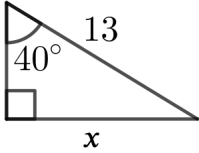
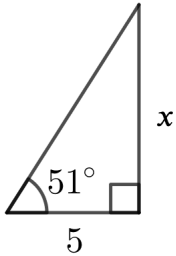
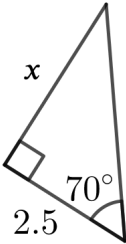
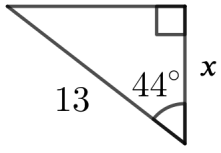
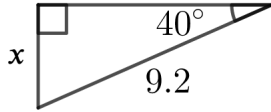
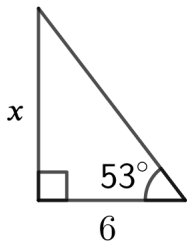
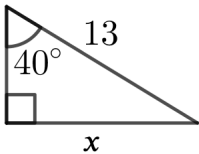
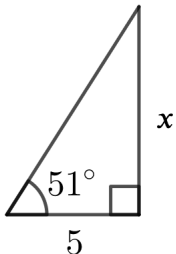
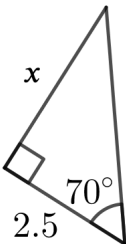
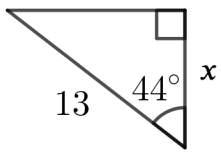
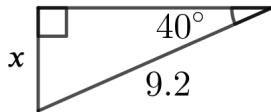


Using trigonometry to find a missing side (solving for the numerator)

Question Find x :						
Trig ratio	$\tan 53^\circ = \frac{x}{6}$	$\sin 40^\circ = \frac{x}{13}$	$\tan 51^\circ = \frac{x}{5}$	$\tan 70^\circ =$		
Re-arrange	$x = 6 \times \tan 53^\circ$	$x = 13 \times \sin 40^\circ$	$x =$	$x =$		
Calculator	$x = 7.96226893$	$x =$	$x =$	$x =$		
Round (1dp)	$x =$	$x =$	$x =$	$x =$		

Using trigonometry to find a missing side (solving for the numerator)

Question						
Trig ratio	$\tan 53^\circ = \frac{x}{6}$	$\sin 40^\circ = \frac{x}{13}$	$\tan 51^\circ = \frac{x}{5}$	$\tan 70^\circ =$		
Re-arrange	$x = 6 \times \tan 53^\circ$	$x = 13 \times \sin 40^\circ$	$x =$	$x =$		
Calculator	$x = 7.96226893$	$x =$	$x =$	$x =$		
Round (1dp)	$x =$	$x =$	$x =$	$x =$		